

THE PROTECTIVE SOLUTION

RADIATION SHIELDING FIRE ROLLER SHUTTERS

SHUTTER CURTAIN

Manufactured from pre-galvanised material, designed to provide a hollow section panel with fibre infill. Each section is 100mm profile with twin ribbed face for rigidity. The curtain, when assembled is held in position with purposely designed end fittings, which act as a curtain alignment system. The bottom panel of the shutter is terminated with a galvanised heavy duty rail.

OPERATION

The door is arranged for an electric motor unit with fusible link or solenoid release unit complete with built on starter.

Fireflex is an insulated curtain which is able to keep its unexposed face surface radiation below 20kW/m² when applied to the time temperature curve of BS 476 Part 20: 1987

ORDER INFORMATION

JOB No:

ORDER No:

OPENING HEIGHT:

OPENING WIDTH:

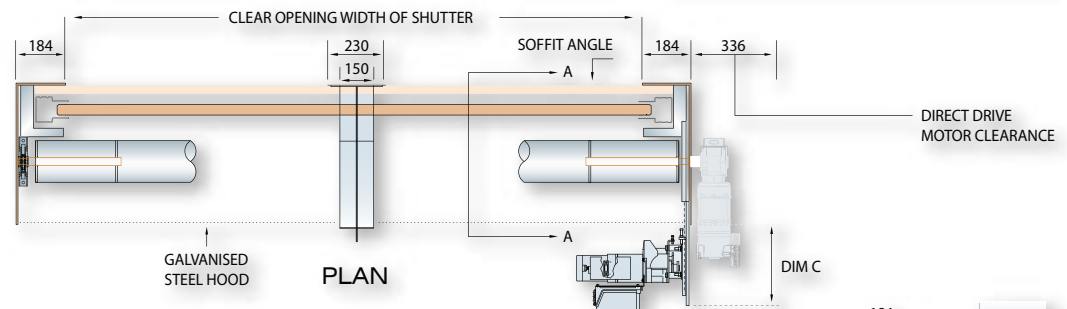
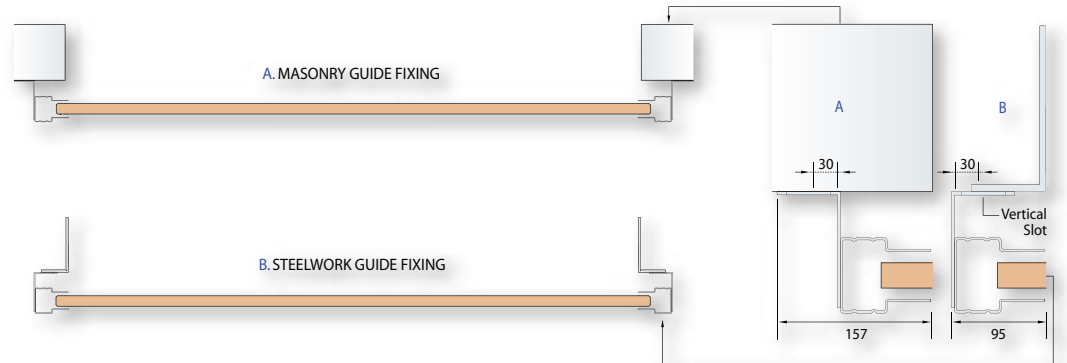
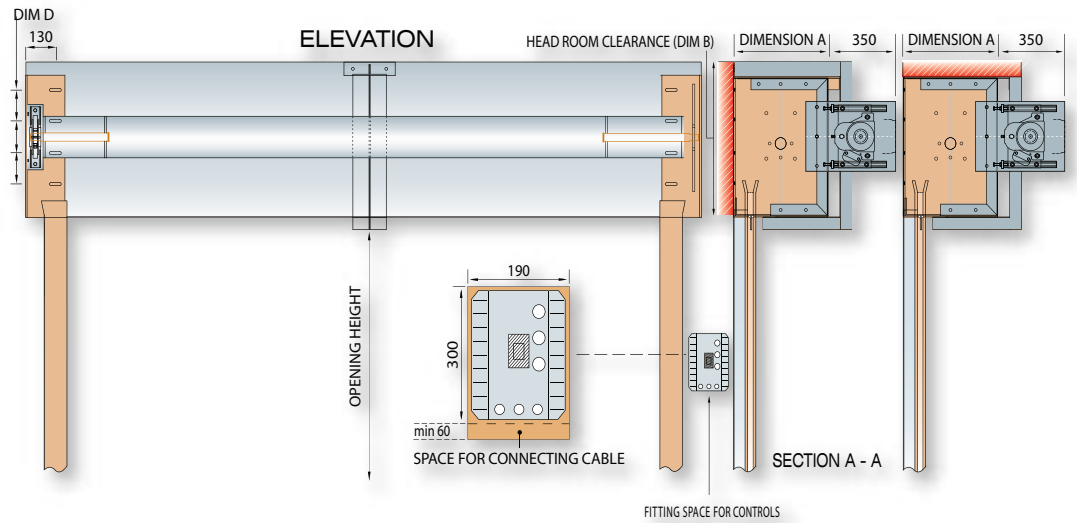
GUIDE TYPE:

DELIVERY DATE:

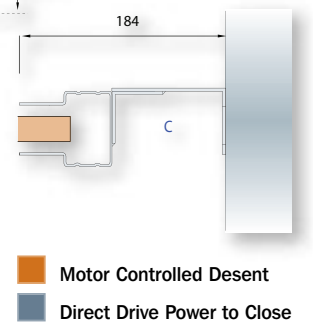
DELIVERY ADDRESS:

GENERAL NOTES:

FIREFLEX R - THE PROTECTIVE SOLUTION



WIDTH	HEIGHT	DIM A	DIM B	DIM C
2500	2500	450	595	350
3000	3000	500	645	350
4000	4000	500	645	350
5000	5000	550	695	350
6000	6000	600	745	350
7000	7000	650	795	350



FIREFLEX-R