

THE PROTECTIVE SOLUTION

FIRE ROLLER SHUTTER

SHUTTER CURTAIN

Manufactured from pre-galvanized material, 75mm curved lath. The curtain, when assembled is held in position with purposely designed end fittings, which act as a curtain alignment system. The bottom panel of the shutter is terminated with a galvanized steel angle with horizontal and vertical slots.

OPERATION

The door is arranged for an electric motor unit with fusible link or solenoid release unit complete with built on starter, or direct drive maintained power.

ORDER INFORMATION

JOB No:

ORDER No:

OPENING HEIGHT:

OPENING WIDTH:

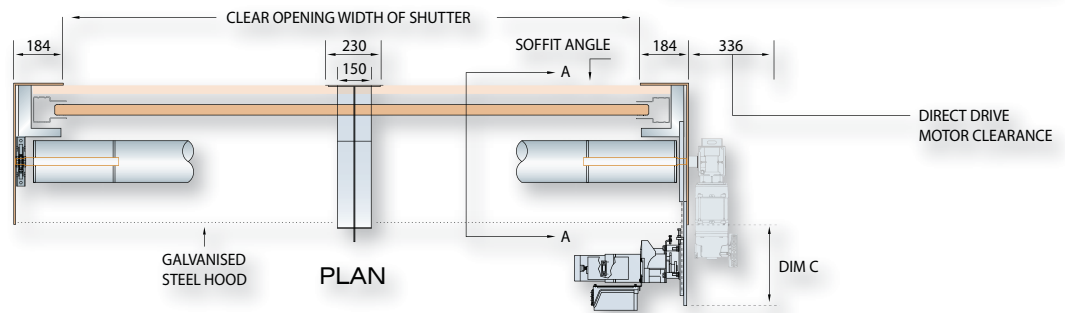
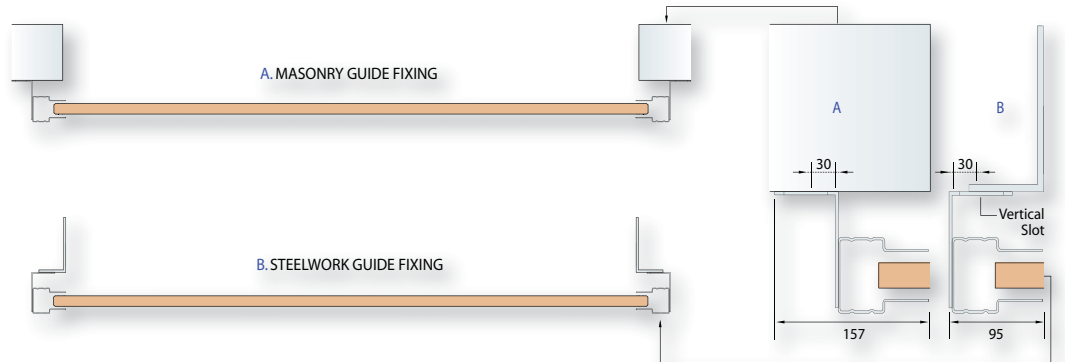
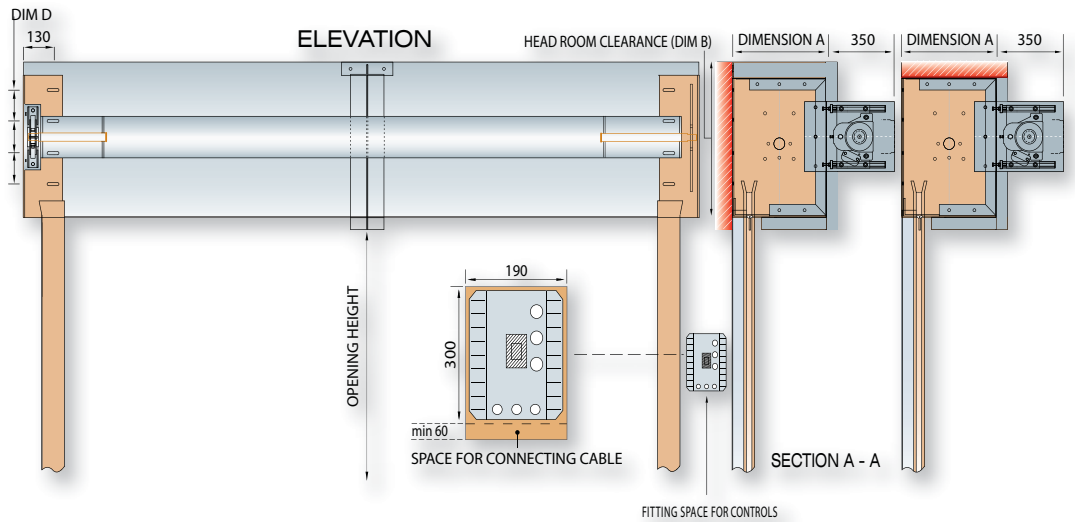
GUIDE TYPE:

DELIVERY DATE:

DELIVERY ADDRESS:

GENERAL NOTES:

FIREFLEX S - THE PROTECTIVE SOLUTION



WIDTH	HEIGHT	DIM A	DIM B
2500	2500	350	450
3000	3000	400	500
4000	4000	400	550
5000	5000	450	600
6000	6000	500	650
Door hood addition - Dim B + 50		All Dimensions in mm	

