

IRSP

**THE
EFFICIENT
SOLUTION**

INSULATED ROLLER SHUTTERS

SHUTTER CURTAIN

Constructed from pre-galvanised material. Ecotech formula foam infill - CFC free/ODP zero with a low global warming potential value of 3. Each panel section is 100mm deep with twin-ribbed face for rigidity.

OPERATION

The door is arranged for an electric motor unit with manual hand hoisting and lowering facility. The motor unit is complete with an in-built safety drive system. Operating voltage 400V 3 phase IP54 protection 60% duty cycle maintenance free and TUV tested, complying with all current European safety standards. Opening speed 220mm per second.

ORDER INFORMATION

JOB No:

ORDER No:

OPENING HEIGHT:

OPENING WIDTH:

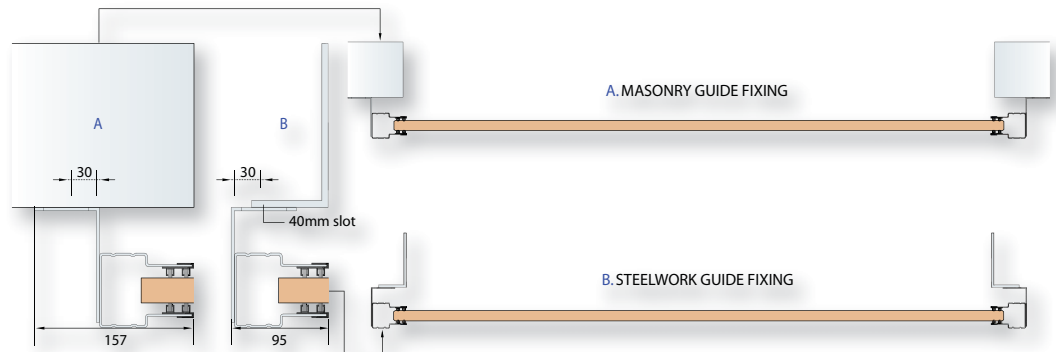
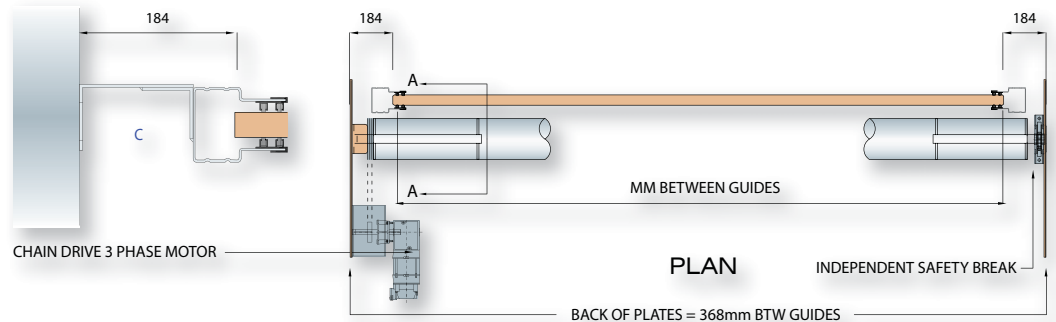
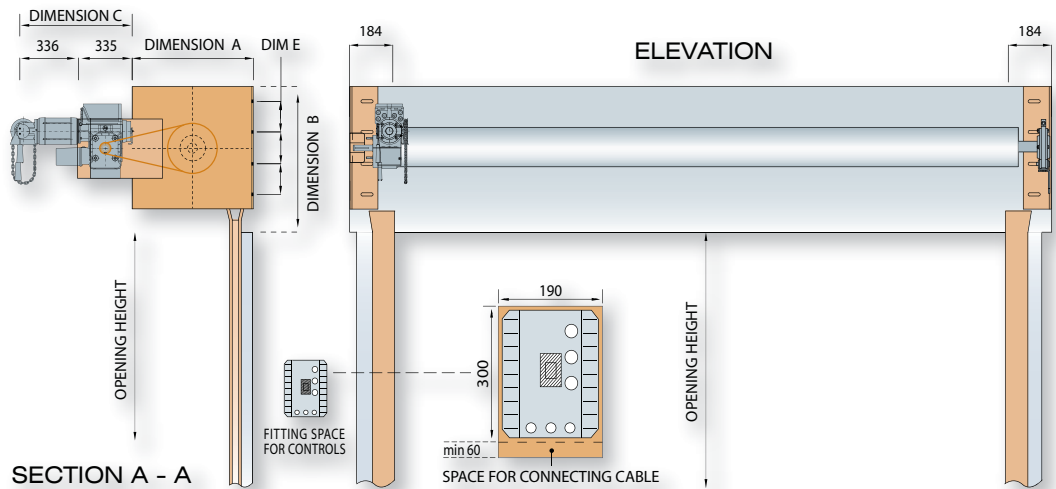
GUIDE TYPE:

DELIVERY DATE:

DELIVERY ADDRESS:

GENERAL NOTES:

INSUFLEX B-SPEC - THE EFFICIENT SOLUTION



WIDTH	HEIGHT	DIM A	DIM B	DIM C	DIM D	DIM E
2500	2500	450	525	671	35	35
4000	4000	500	595	671	60	60
5000	5000	550	645	671	85	85
6000	6000	550	645	671	85	85

Door hood addition - Dim B + 50 All Dimensions in mm



INSUFLEX B-SPEC

Manufactured by **IRSP** A Division of P&D Group Services Ltd