

IRSP

THE PROFESSIONAL SOLUTION

INSULATED ROLLER SHUTTERS SHUTTER CURTAIN

Constructed from pre-galvanised material, designed to provide a hollow section panel with CFC and HCFC free thermal infill. Each panel section is 100mm deep with twin-ribbed face for rigidity. Each alternate panel is to include advanced bonded composite anti-cut bars over the bottom 1.8 metres with added side load fittings.

OPERATION

The door is arranged for an electric motor unit with manual hand hoisting and lowering facility. The motor unit is complete with an in-built safety drive system. Operating voltage 400V 3 phase IP54 protection 60% duty cycle maintenance free and TUV tested, complying with all current European safety standards.

ORDER INFORMATION

JOB No:

ORDER No:

OPENING HEIGHT:

OPENING WIDTH:

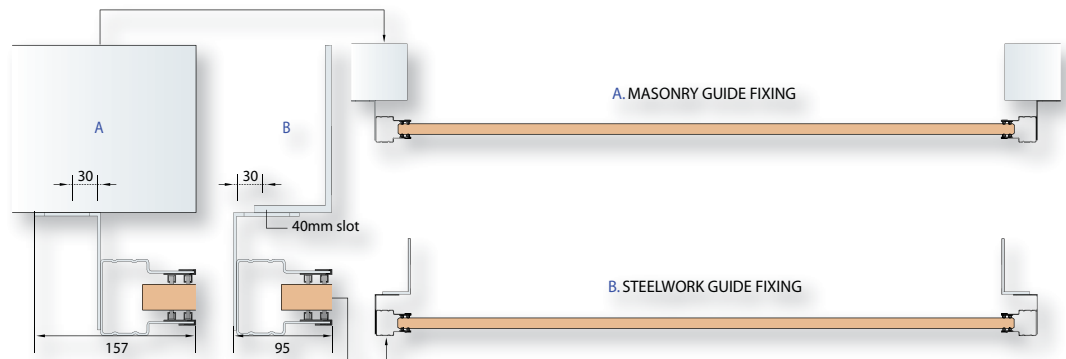
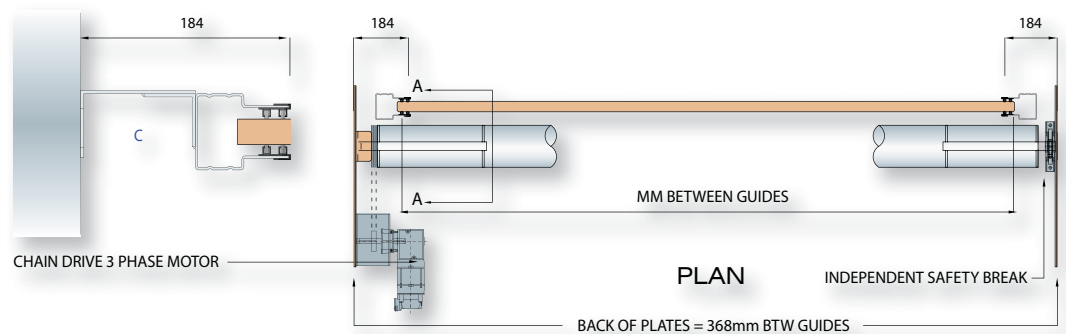
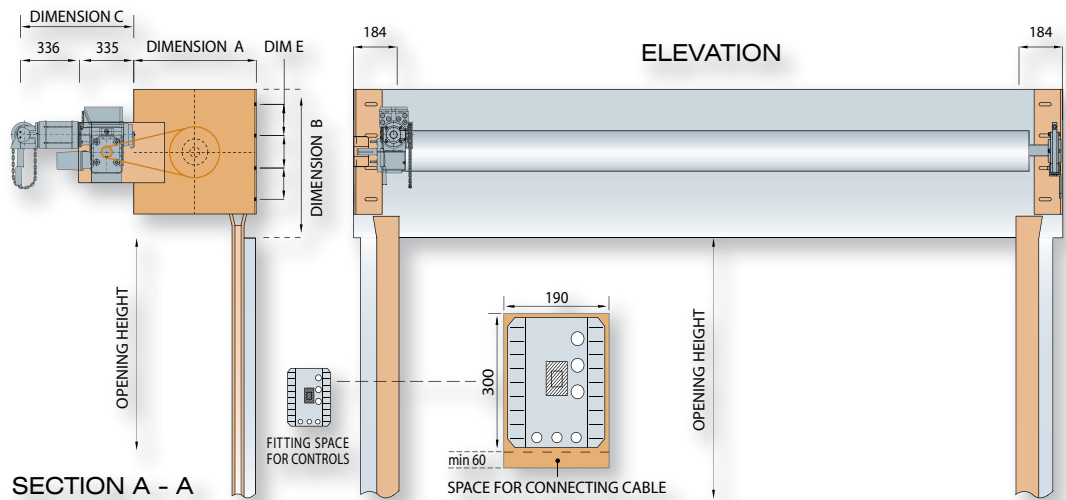
GUIDE TYPE:

DELIVERY DATE:

DELIVERY ADDRESS:

GENERAL NOTES:

SECUREFLEX B-SPEC - THE PROFESSIONAL SOLUTION



WIDTH	HEIGHT	DIM A	DIM B	DIM C	DIM D
2500	2500	450	525	196	35
4000	4000	500	595	259	60
5000	5000	550	645	209	85
6000	6000	550	645	283	85

Door hood addition - Dim B + 50 All Dimensions in mm



SECUREFLEX B-SPEC